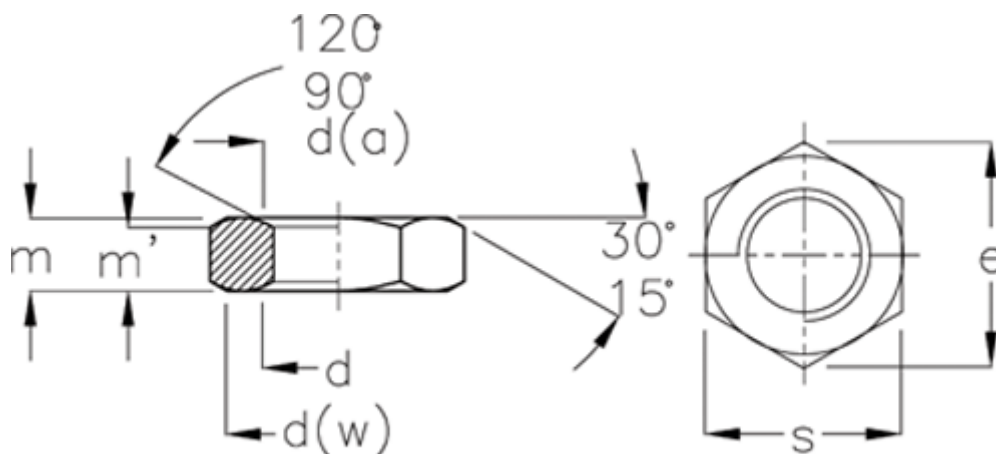


Article number: 20160512

Description: Lock nut ISO 8675 B-M12x1,5 Bronzed

## Measures



$d$	= M12	$m$ min	= 5.70
$d1$ max	= 13.0	$s$ max	= 18
$d1$ min	= 12	$s$ min	= 17.73
$d2$	= M12	Thread pitch	= 1.5
$d3$	= 1.5	$w$	= 16.63
$e$	= 20.03		
$m$	= 4.56		
$m$ max	= 6		